

Agilent PNA Series Microwave Network Analyzers

Configuration Guide

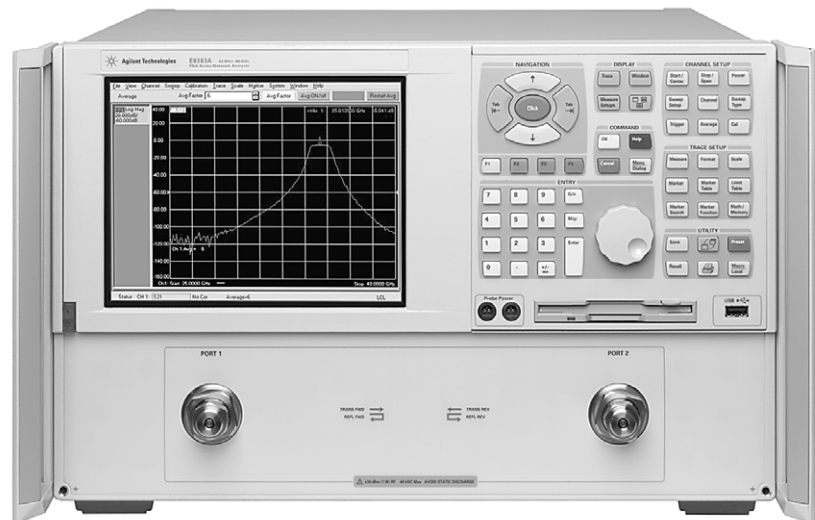
E8362B	10 MHz to 20 GHz
E8363B	10 MHz to 40 GHz
E8364B	10 MHz to 50 GHz
E8361A	10 MHz to 67 GHz
N5250A	10 MHz to 110 GHz

System configuration summary

This summary lists the main components required to form a basic measurement system. Options or peripherals may be added to provide enhanced measurement and data storage capability.

Full S-parameter measurements

- **Agilent PNA Series microwave network analyzers**
- **Test port cables, 50 ohms**
- **Calibration kit for applicable connector type**



This configuration guide describes standard configurations, options, accessories, upgrade kits and compatible peripherals for the PNA Series microwave network analyzers. This guide should be used with the *Agilent PNA Series Microwave Network Analyzers, Data Sheet* for a complete description of these analyzers.

Ordering Guide For PNA Microwave Series Network Analyzers

This guide is intended to assist you in the ordering process. Additional information and products (such as calibration kits and cables) are described throughout this document.

Microwave PNA Series¹

E8362B	10 MHz to 20 GHz
E8363B	10 MHz to 40 GHz
E8364B	10 MHz to 50 GHz
E8361A	10 MHz to 67 GHz
N5250A	10 MHz to 110 GHz system ²

Options

To add options to a product, order the corresponding item number.

Description	For E8362B item number	For E8363B item number	For E8364B item number	For E8361A item number	For N5250A system ³	Additional information
Test set						
Option 014 • Configurable test set	E8362B-014	E8363B-014	E8364B-014	E8361A-014	Included	
Power configuration						
Option UNL • Extended power range and bias-tees	E8362B-UNL	E8364B-UNL	E8364B-UNL	E8361A-UNL	Included	Only E8361A requires 014
Option 016 • Add receiver attenuators	E8362A-016	E8364A-016	E8364A-016	E8361A-016	E8361A-016	Requires UNL (only E8361A also requires 014)
Non-linear measurements						
Option 080 • Frequency offset	E8362A-080	E8364A-080	E8364A-080	E8361A-080	Included	Requires 014
Option 081 • Reference receiver switch	E8362A-081	E8364A-081	E8364A-081	E8361A-081	Included	Requires 014, 080 (only E8361A also requires UNL)
Option 083 • Frequency converter measurement application	E8362A-083	E8364A-083	E8364A-083	E8361A-083	E8361B-083	Requires 014, 080, 081 (only E8361A also requires UNL) includes GPIB to USB interface (82357A)
Accessories						
Option H08 ⁴ • Pulsed-RF measurement capability	E8362B-H08	E8363B-H08	E8364B-H08	E8361A-H08	E8361A-H08	Requires H11
Option H11 • IF access (E8361A PNA enabled for 110 GHz)	E8362B-H11	E8363B-H11	E8364B-H11	E8361A-H11	Included	Requires 014, UNL, 080, and 081
Measurement features						
Option 010 • Time-domain capability	E8362A-010	E8363A-010	E8364A-010	E8361A-010	E8361B-010	
Accessories						
Option 1CM • Rack mount kit without handles	E8362A-1CM	E8363A-1CM	E8364A-1CM	E8361A-1CM	E8361A-1CM	
Option 1CP • Rack mount kit with handles	E8362A-1CP	E8363A-1CP	E8364A-1CP	E8361A-1CP	E8361A-1CP	
N4688A • USB CD R/W drive	N4688A	N4688A	N4688A	N4688A	N4688A	
N4689A • USB Hub	N4689A	N4689A	N4689A	N4689A	N4689A	
Calibration documentation						
Option 1A7 • ISO 17025 compliant calibration	E8362B-1A7	E8363B-1A7	E8364B-1A7	E8361A-1A7	E8361A-1A7	
Option UK6 • Commercial calibration certificate with test data	E8362A-UK6	E8363A-UK6	E8364A-UK6	E8361A-UK6	E8361A-UK6	

Note: Item numbers may not correspond to product model number. For example, to order the time-domain option on the E8362B, the correct item number to order is E8362A-010.

Warranty and service

5 year warranty and service plans are available. Standard warranty is 3 years. The N5250A microwave 110 GHz system carries a full one-year on-site warranty (where available).

Calibration

Upfront calibration is available in 3 or 5 year plans.

- All models are not available in all countries.
- For more detailed information regarding the 110 GHz network analyzer system, refer to the Agilent Web site: www.agilent.com/find/pna and download the N5250A Technical Overview, literature number 5988-9620EN.
- The N5250A 110 GHz system also includes an N5260A millimeter-wave test set controller, 1.0 mm combiner assembly, interconnecting cables, and installation and productivity assistance. See page 5 for more details.
- Up to 67 GHz.

Agilent Microwave PNA Series

The microwave PNA Series instruments are integrated vector network analyzers equipped with a built-in S-parameter test set, synthesized source, hard and floppy disk drives, and LCD display. The E8362B analyzer has two 50 ohm, 3.5 mm (m) test ports. The E8363B and E8364B analyzers have two 50 ohm, 2.4 mm (m) test ports. The E8361A analyzer has two 50 ohm, 1.85 mm (m) test ports. Included with each instrument is a mouse, keyboard, CD-ROM containing a copy of on-line Help and programming documentation, and a 3-year return-to-Agilent service warranty.

- **E8362B** network analyzer, 10 MHz to 20 GHz
- **E8363B** network analyzer, 10 MHz to 40 GHz
- **E8364B** network analyzer, 10 MHz to 50 GHz
- **E8361A** network analyzer, 10 MHz to 67 GHz¹
- **N5250A** network analyzer system, 10 MHz to 110 GHz

Options

- **Time-domain capability (Option 010)**
For viewing reflection and transmission responses in time or distance domain.
- **Configurable test set (Option 014)**
Provides six front panel access loops. Three access loops are for port one and three for port two. The loops provide access to the signal path between (a) the source output and the reference receiver, (b) the source output and directional coupler thru arm and (c) the coupled arm of the directional coupler and the port receiver. This option provides the capability to improve instrument sensitivity for measuring low-level signals, to reverse the directional coupler to achieve even more dynamic range or to add components and other peripheral instruments for a variety of measurement applications.
(see PNA Series Microwave Data Sheet literature number 5988-7988EN for a basic block diagram)
- **Extended power range and bias-tees (Option UNL)**
Adds two 60 dB step attenuators and two bias-tees to the E8362/3/4B. Adds two 50 dB step attenuators and two bias-tees to the E8361A. A step attenuator and bias-tee set is inserted between the source and test port one and another set between the source and test port two. (see PNA Series Microwave Data Sheet literature number 5988-7988EN for a basic block diagram)
- **Frequency offset (Option 080)²** This option enables the PNA Series microwave network analyzers to set the source frequency independently from where the receivers are tuned. This ability is important for two general classes of devices: mixers (and converters) and amplifiers. Option 080 provides a very basic user interface.
- **Reference receiver switch (Option 081)** Option 081 adds a solid-state internal RF transfer switch in the R1 reference-receiver path (see PNA Series Microwave Data Sheet literature number 5988-7988EN for a basic block diagram). The switch allows the instrument to easily switch between standard S-parameter (non-frequency-offset) measurements and frequency offset measurements such as relative phase or absolute group delay that require an external reference mixer. The user can set the switch manually or remotely, but it is best used with the frequency-converter application (Option 083), where it is controlled automatically during the vector-mixer calibration procedure and subsequent measurements.
- **Frequency-converter measurement application (Option 083)²**
The frequency-converter application adds an intuitive and easy-to-use user interface, advanced calibration choices that provide exceptional amplitude and phase accuracy, and control of external signal sources for use as local oscillators. Mixer calibration techniques include scalar-mixer calibration and vector-mixer calibration (requires Option 081). Finally, the frequency-converter application supports all of Agilent's major signal source families. Option 083 includes a GPIB to USB interface (82357A) for control of external sources and power meters.
- **Add receiver attenuators (Option 016)** An attenuator is added between each test port and its corresponding receiver. Two 35 dB step attenuators are added to the E8362/3/4B. Two 50 dB step attenuators are added to the E8361A (see PNA Series Microwave Data Sheet literature number 5988-7988EN for a basic block diagram).

1. The E8361A can be enabled to 110 GHz with IF access (Option H11).

2. Up to 67 GHz.

- ❑ **Pulsed-RF measurement capability (Option H08)¹** Provides software to set up and control pulsed-RF measurements with point-in-pulse capability. The software sets the coefficient of the PNA's digital-IF filter to null out unwanted spectral components, enables the IF gates provided with IF access (Option H11), and controls selected Agilent pulse generators. It can be run on the PNA or an external computer. A ".dll" file containing the IF-filter algorithms is included for automated pulsed-RF testing. The pulsed application is configured to work with the Agilent 81110A series pulse generator.

For more detailed information regarding pulsed measurement capabilities with the microwave PNA refer to the Agilent Web site www.agilent.com/find/pna and download the *PNA Series MW Network Analyzers Configuration Guide for Pulsed Measurements*, literature number 5988-9833EN.

- ❑ **IF access (Option H11)** Provides hardware to enable antenna, point-in pulse, and broadband millimeter-wave measurements to 110 GHz. For each of the MW PNA's measurement receivers, IF gates (enabled with pulsed measurement capability, Option H08) and external IF inputs are added. In addition, access to the PNA's internal RF and LO source is provided for remote mixing applications. For basic antenna measurements, only Option H11 is necessary. Pulsed antenna applications also require the pulsed measurement capability (Option H08). Broadband measurements to 110 GHz, also requires an N5260A millimeter-wave test set controller.

Note: Use external IF access for up to 20 dB more sensitivity when making antenna measurements with a remote mixing configuration. Add Option H08 (Pulsed-RF Measurement Capability) to enable advanced pulsed, measurements. Or upgrade to a broadband (10 MHz to 110 GHz) VNA system simply by purchasing an N5260A controller test set.

- ❑ **Rack mount kit without handles (Option 1CM)**
Adds a rack mount (5063-9217) and rail kit (E3663AC) for use without handles.
- ❑ **Rack mount kit with handles (Option 1CP)**
Adds a rack mount (5063-9237) and rail kit (E3663AC) for use with previously supplied handles.

E8361A/62B/63B/64B Configuration Details

Selecting the correct mixer-test configuration:

Most mixer or converter test applications require Options 014, 080, 081, and 083. If you want to create and automate your own custom frequency-offset measurements (for example, intermodulation distortion), you may only need Options 014 and 080. For converters that require input power below -27 dBm, or for devices that have a large amount of LO feedthrough (like an unfiltered mixer), Option UNL, which adds source attenuators, is highly recommended. Besides allowing lower input power levels, these attenuators improve the isolation between the PNA's internal source and LO leakage signals, helping to prevent source-unleveled errors. For devices that put out signals near or above the receiver's compression levels (which varies between -3 and +5 dBm, depending on the model and frequency), Option 016 is recommended, which adds receiver attenuators. Finally, Option 010, which adds time-domain analysis, is very useful for gating out unwanted, time-delayed responses which often occur when measuring mixers.

N5250A Configuration details

- ❑ **N5250A MW PNA system¹, 10 MHz to 110 GHz, includes:**
 - E8361A MW PNA with IF access (Option H11)*
 - Configurable test set – Option 014 (required)
 - Extended power range and bias-tees – Option UNL (required)
 - Frequency-offset mode – Option 080 (required)
 - Reference channel switch – Option 081 (required)
 - N5260A millimeter-wave test set controller*
 - 67 GHz test heads
 - 1.0 mm combiner assembly
 - Interconnecting cables
 - Installation and productivity assistance

Additional options available:

- Receiver attenuator – Option 016
- Time-domain capability – Option 010
- Extended memory (512 MB) – Option 022
- Pulsed-RF measurement capability – Option H08¹
- Frequency converter application – Option 083¹

Factory integration of the N5250A system integrates the E8361A with Option H11 and the N5260A millimeter-wave controller. On-site installation is included, and the entire system carries a full one-year, on-site warranty (where available).

1. Up to 67 GHz.

Available separately

- **E8361A MW PNA with IF access (Option H11) enabled for 110 GHz operation, includes:**
 - Configurable test set – Option 014 (required)
 - Extended power range and bias-tees – Option UNL (required)
 - Frequency-offset mode – Option 080 (required)
 - Reference channel switch – Option 081 (required)

Additional options available:

- Receiver attenuator – Option 016¹
- Time-domain capability – Option 010
- Extended memory (512 MB) – Option 022
- Pulsed-RF measurement capability – Option H08¹
- Frequency converter application – Option 083¹

In the future when you require measurements up to 110 GHz, you can purchase the N5260A millimeter-wave controller separately to complete the system.

- **N5260A millimeter-wave test set controller, includes:**
 - 67 GHz to 110 GHz test heads
 - 1.0 mm combiner assembly
 - Interconnecting cables
 - Installation and productivity assistance

On-wafer applications

For on-wafer applications, Cascade Microtech³ provides complete probing systems using the N5250A. These include both new probing systems and upgrades to existing Cascade Microtech products. Cascade can also provide on-wafer verification and probing system training. Once the N5250A system is verified in coax, Cascade Microtech will verify the system through its wafer probes.

Documentation

PNA Online Help system is available within PNA instruments in the following languages: English, German, Spanish, French, Japanese, and Chinese.

The PNA Service Guide and Online Help are available on the Web: <http://na.tm.agilent.com/pna>

Certification options

- **Commercial calibration certificate with test data (Option UK6)**

Complete set of measurements which tests unit to manufacturer's published specifications. Includes calibration label, calibration certificate, and data report. Conforms to ISO 9001.
- **ISO 17025 compliant calibration (Option 1A7)**

Complete set of measurements which tests unit to manufacturer's published specifications. Includes calibration label, ISO 17025 calibration certificate, and data report, measurement uncertainties and guardbands on all customer specifications. Conforms to ISO 17025 and ISO 9001.

Warranty and service

5 year warranty and service plans are available. Standard warranty is 3 years.

Calibration

3 or 5 year Upfront Calibration plans are available. Contact your local Agilent sales office for details.

Product services

Agilent Product Services provide tailored assistance related to a specific need or application. Product services enable you to quickly learn how Agilent instruments operate, their capabilities, and how to apply that knowledge to achieve your specific measurement goals. PNA Series services available include:

- Remote scheduled productivity assistance
- 1 Day of start-up assistance
- Daily productivity assistance
- PNA operator training for 8 students at your business site
- PNA operator web classes for 1 student
- Custom services to be qualified by an Agilent technical consultant

1. Up to 67 GHz.
2. For more detailed information regarding the 110 GHz network analyzer system, refer to the Agilent Web site: www.agilent.com/find/pna and download the N5250A Technical Overview, literature number 5988-9620EN.
3. Cascade Microtech is an Agilent Channel Partner.
4. Printed version of on-line help has translations up to firmware version 3.1.

Measurement Accessories

A complete line of RF and microwave test accessories can be found by visiting www.agilent.com/find/mta, www.agilent.com/find/accessories or www.agilent.com/find/ecal

Accessories are available in these connector types: 50 ohm Type-N, 3.5 mm, 7 mm, 2.4 mm, 2.92 mm, 1.85 mm, and waveguide. Test port cables and a calibration kit should be added for a complete measurement system. A verification kit is used to verify corrected system performance.

Cables and adapter sets

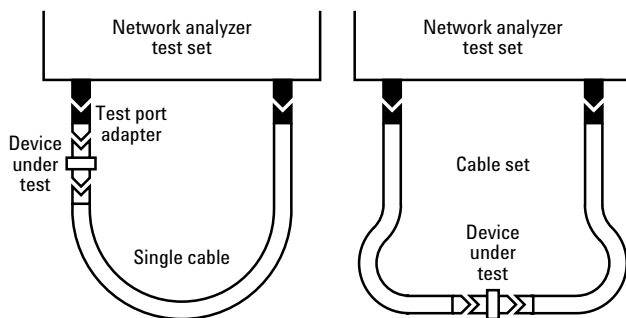
Agilent offers cables in the following types:

- single cables in semi-rigid and flexible
- cable sets in semi-rigid and flexible

There are also adapter sets available that protect the test port and convert the port to the desired connector interface. These kits contain:

- one male adapter
- one female adapter

To attain the best mechanical rigidity for device connection, use a single cable and the appropriate special adapter set. To attain the greatest flexibility for device connection, use a cable set.



Calibration kits

Coaxial measurements

Mechanical calibration kits include standards, such as opens, shorts and loads, which are measured by the network analyzer for increased measurement accuracy.

Electronic calibration (ECal) kits replace mechanical calibration standards with one solid-state calibration module that is controlled by the network analyzer via USB, to present many different impedances to the test ports. A full two-port calibration can be performed quickly with a single connection. This technique reduces operator errors and connector wear and abrasion.

Choose a calibration kit for each connector type to be used.

Economy, includes:

- open standards (male and female)
- short standards (male and female)
- fixed-termination standards (male and female)

Standard, includes the devices in the economy kit and adds:

- sliding load standards (male and female) or a series of offset shorts

Precision, includes the devices in the economy kit and adds:

- 50 ohm airline(s) for TRL calibration
- TRL adapters

Waveguide measurements

For waveguide measurements, Agilent offers mechanical calibration kits that include:

- waveguide-to-coax adapters (X, P, K, R, Q, U, V)
- precision waveguide section
- flush short circuit
- fixed terminations
- straight section

For devices with 1.85 mm connectors

Mechanical calibration kits

□ **85058B** standard: DC to 67 GHz.

Includes:

- 85058-60101 1.85 mm (m) short 5.4 mm
- 85058-60102 1.85 mm (m) short 6.3 mm
- 85058-60103 1.85 mm (m) short 7.12 mm
- 85058-60104 1.85 mm (m) short 7.6 mm
- 85058-60105 1.85 mm (f) short 5.4 mm
- 85058-60106 1.85 mm (f) short 6.3 mm
- 85058-60107 1.85 mm (f) short 7.12 mm
- 85058-60108 1.85 mm (f) short 7.6 mm
- 85058-60109 1.85 mm male open
- 85058-60110 1.85 mm female open
- 85058-60111 1.85 mm male load
- 85058-60112 1.85 mm female load
- 85058-60113 1.85 mm (m) to 1.85 mm (m) adapter
- 85058-60114 1.85 mm (f) to 1.85 mm (f) adapter
- 85058-60115 1.85 mm (m) to 1.85 mm (f) adapter

□ **85058E** economy: DC to 67 GHz.

Includes:

- 85058-60101 1.85 mm (m) short 5.4 mm
- 85058-60105 1.85 mm (f) short 5.4 mm
- 85058-60109 1.85 mm male open
- 85058-60110 1.85 mm female open
- 85058-60123 1.85 mm male load
- 85058-60124 1.85 mm female load
- 85058-60113 1.85 mm (m) to 1.85 mm (m) adapter
- 85058-60114 1.85 mm (f) to 1.85 mm (f) adapter
- 85058-60115 1.85 mm (m) to 1.85 mm (f) adapter

Electronic calibration kits

□ **N4694A** Microwave ECal: 10MHz to 67 GHz, 2 ports.

Includes:

Option M0F module with:

- N4694-60001 1.85mm (f) to 1.85mm (m) ECal module

Option 00M module with:

- N4694-60002 1.85mm (m) to 1.85mm (m) ECal module

Option 00F module with:

- N4694-60003 1.85mm (f) to 1.85mm (f) ECal module

Option 00A adds:

- 85058-60113 1.85mm (m) to 1.85mm (m) adapter
- 85058-60114 1.85mm (f) to 1.85mm (f) adapter

Cables¹

- **N4697E** Single, flexible: 1.85 mm, 96.5 cm, 38 inches
- **N4697F** Set, flexible: 1.85 mm, 62.2 cm, 24.5 inches

Adapter set

- **85130H** 1.85 mm¹ to 1.85 mm

For devices with 2.4 mm connectors

Mechanical calibration kits

□ **85056A** standard: DC to 50 GHz.

Includes:

- 00901-60003 2.4 mm (m) fixed broadband load
- 00902-60004 2.4 mm (f) fixed broadband load
- 00915-60003 2.4 mm (m) sliding load
- 00915-60004 2.4 mm (f) sliding load
- 85056-60005 2.4 mm (m) to 2.4 mm (m) adapter
- 85056-60006 2.4 mm (f) to 2.4 mm (f) adapter
- 85056-60007 2.4 mm (m) to 2.4 mm (f) adapter
- 85056-60020 2.4 mm (m) short
- 85056-60021 2.4 mm (f) short
- 85056-60022 2.4 mm (m) open
- 85056-60023 2.4 mm (f) open

□ **85056D** economy: DC to 50 GHz.

Includes:

- 00901-60003 2.4 mm (m) fixed broadband load
- 00902-60004 2.4 mm (f) fixed broadband load
- 85056-60005 2.4 mm (m) to 2.4 mm (m) adapter
- 85056-60006 2.4 mm (f) to 2.4 mm (f) adapter
- 85056-60007 2.4 mm (m) to 2.4 mm (f) adapter
- 85056-60020 2.4 mm (m) short
- 85056-60021 2.4 mm (f) short
- 85056-60022 2.4 mm (m) open
- 85056-60023 2.4 mm (f) open

Electronic calibration kits

□ **N4693A** Microwave ECal: 10MHz to 50 GHz, 2 ports.

Includes:

Option M0F module with:

- N4693-60001 2.4mm (f) to 2.4mm (m) ECal module

Option 00M module with:

- N4693-60002 2.4mm (m) to 2.4mm (m) ECal module

Option 00F module with:

- N4693-60003 2.4mm (f) to 2.4mm (f) ECal module

Option 00A adds:

- 85056-60005 2.4mm (m) to 2.4mm (m) adapter
- 85056-60007 2.4mm (f) to 2.4mm (f) adapter

Cables¹

- **85133C** single, semi-rigid: 2.4 mm, 81 cm, 32 inches
- **85133D** set, semi-rigid: 2.4 mm, 53 cm each, 21 inches
- **85133E** single, flexible: 2.4 mm, 81 cm, 32 inches
- **85133F** set, flexible: 2.4 mm, 53 cm each, 21 inches

Adapter set

- **85130G** 2.4 mm¹ to 2.4 mm

1. Special rugged female connector specifically for connecting to the network analyzer test port, but does not mate with a standard male connector.

For devices with K connectors (2.92mm)

Mechanical calibration kits

- **85056K** 2.92/2.4 economy: DC to 40/50 GHz.
Includes:
 - 00901-60003 2.4 mm (m) fixed broadband load
 - 00902-60004 2.4 mm (f) fixed broadband load
 - 00915-60003 2.4 mm (m) sliding load (Option 001)
 - 00915-60004 2.4 mm (f) sliding load (Option 001)
 - 11904-60001 2.4 mm (m) to 2.92 mm (m) adapter
 - 11904-60002 2.4 mm (f) to 2.92 mm (f) adapter
 - 11904-60003 2.4 mm (m) to 2.92 mm (f) adapter
 - 11904-60004 2.4 mm (f) to 2.92 mm (m) adapter
 - 85056-60005 2.4 mm (m) to 2.4 mm (m) adapter
 - 85056-60006 2.4 mm (f) to 2.4 mm (f) adapter
 - 85056-60007 2.4 mm (m) to 2.4 mm (f) adapter
 - 85056-60020 2.4 mm (m) short
 - 85056-60021 2.4 mm (f) short
 - 85056-60022 2.4 mm (m) open
 - 85056-60023 2.4 mm (f) open

Electronic calibration kits

- **N4692A** Microwave ECal: 10MHz to 40 GHz, 2 ports.
Includes:
 - Option M0F** module with:
 - N4692-60001 2.92mm (f) to 2.92mm (m) ECal module
 - Option 00M** module with:
 - N4692-60002 2.92mm (m) to 2.92mm (m) ECal module
 - Option 00F** module with:
 - N4692-60003 2.92mm (f) to 2.92mm (f) ECal module
 - Option 00A** adds:
 - N4692-60010 2.92mm (m) to 2.92mm (m) adapter
 - N4692-60011 2.92mm (f) to 2.92mm (f) adapter

Cables^{1,2}

- **85133C** single, semi-rigid: 2.4 mm, 81 cm, 32 inches
- **85133D** set, semi-rigid: 2.4 mm, 53 cm each, 21 inches
- **85133E** single, flexible: 2.4 mm, 81 cm, 32 inches
- **85133F** set, flexible: 2.4 mm, 53 cm each, 21 inches

Adapters

- **11904A** 2.4 mm (m) to K (m)
- **11904B** 2.4 mm (f) to K (f)
- **11904C** 2.4 mm (m) to K (f)
- **11904D** 2.4 mm (f) to K (m)
- **11904S** 2.4 mm to K adapter set

For devices with 3.5 mm or SMA connectors

Mechanical calibration kits

- **85052B** standard: DC to 26.5 GHz. Includes:
 - 00902-60003 3.5 mm (m) fixed load
 - 00902-60004 3.5 mm (f) fixed load
 - 00911-60019 3.5 mm (m) sliding load
 - 00911-60020 3.5 mm (f) sliding load
 - 85052-60006 3.5 mm (m) short
 - 85052-60007 3.5 mm (f) short
 - 85052-60008 3.5 mm (m) open
 - 85052-60009 3.5 mm (f) open
 - 85052-60012 3.5 mm (f) to 3.5 mm (f) adapter
 - 85052-60013 3.5 mm (f) to 3.5 mm (m) adapter
 - 85052-60014 3.5 mm (m) to 3.5 mm (m) adapter
- **85052C** precision TRL: DC to 26.5 GHz. Includes:
 - 00902-60003 3.5 mm (m) fixed load
 - 00902-60004 3.5 mm (f) fixed load
 - 85052-60006 3.5 mm (m) short
 - 85052-60007 3.5 mm (f) short
 - 85052-60008 3.5 mm (m) open
 - 85052-60009 3.5 mm (f) open
 - 85052-60032 3.5 mm (f) to 3.5 mm (f) adapter
 - 85052-60033 3.5 mm (m) to 3.5 mm (m) adapter
 - 85052-60034 3.5 mm (f) to 3.5 mm (m) adapter
 - 85052-60035 3.5 mm short TRL line
 - 85052-60036 3.5 mm long TRL line
- **85052D** economy: DC to 26.5 GHz. Includes:
 - 00902-60003 3.5 mm (m) fixed load
 - 00902-60004 3.5 mm (f) fixed load
 - 85052-60006 3.5 mm (m) short
 - 85052-60007 3.5 mm (f) short
 - 85052-60008 3.5 mm (m) open
 - 85052-60009 3.5 mm (f) open
 - 85052-60012 3.5 mm (f) to 3.5 mm (f) adapter
 - 85052-60013 3.5 mm (f) to 3.5 mm (m) adapter
 - 85052-60014 3.5 mm (m) to 3.5 mm (m) adapter

1. Special rugged female connector specifically for connecting to the network analyzer test port, but does not mate with a standard male connector.

2. For use with E8362A or B.

Electronic calibration kits

- **N4691A** Microwave ECal: 10MHz to 26.5 GHz, 2 ports.
Includes:
 - Option M0F** module with:
N4691-60001 3.5mm (f) to 3.5mm (m) ECal module
 - Option 00M** module with:
N4691-60002 3.5mm (m) to 3.5mm (m) ECal module
 - Option 00F** module with:
N4691-60003 3.5mm (f) to 3.5mm (f) ECal module
 - Option 00A** adds:
 - 85052-60012 3.5mm (m) to 3.5mm (m) adapter
 - 85052-60014 3.5mm (f) to 3.5mm (f) adapter

Cables¹

- **85131C** single, semi-rigid: 3.5 mm to 3.5 mm, 81 cm, 32 inches²
- **85131D** set, semi-rigid: 3.5 mm to 3.5 mm, 53 cm each, 21 inches each²
- **85131E** single, flexible: 3.5 mm to 3.5 mm, 96.5 cm, 38 inches²
- **85131F** set, flexible: 3.5 mm to 3.5 mm, 62.2 cm each, 24.5 inches each²
- **85134C** single, semi-rigid: 3.5 mm to 2.4 mm, 81 cm, 32 inches
- **85134D** set, semi-rigid: 3.5 mm to 2.4 mm, 53 cm each, 21 inches each
- **85134E** single, flexible: 3.5 mm to 2.4 mm, 96 cm, 38 inches
- **85134F** set, flexible: 3.5 mm to 2.4 mm, 53 cm each, 21 inches each

Adapter sets

- **85130F** 2.4 mm¹ to 3.5 mm

For devices with Type-N connectors

Mechanical calibration kits

- **85054B** standard: DC to 18 GHz. Includes:
 - 00909-60011 Type-N (m) fixed lowband load
 - 00909-60012 Type-N (f) fixed lowband load
 - 85054-60025 Type-N (m) short
 - 85054-60026 Type-N (f) short
 - 85054-60027 Type-N (m) open
 - 85054-60028 Type-N (f) open
 - 85054-60031 Type-N (f) to 7mm adapter
 - 85054-60032 Type-N (m) to 7mm adapter
 - 85054-60037 Type-N (f) to Type-N (f) adapter
 - 85054-60038 Type-N (m) to Type-N (m) adapter
 - 85054-80010 Type-N (f) sliding load
 - 85054-80009 Type-N (m) sliding load
 - 85054-60050 Type-N (f) connector gage
 - 85054-60052 Type-N (f) gage master
 - 85054-60051 Type-N (m) connector gage
 - 85054-60053 Type-N (m) gage master
- **85054D** economy: DC to 18 GHz. Includes:
 - 85054-60025 Type-N (m) short
 - 85054-60026 Type-N (f) short
 - 85054-60027 Type-N (m) open
 - 85054-60028 Type-N (f) open
 - 85054-60031 Type-N (f) to 7mm adapter
 - 85054-60032 Type-N (m) to 7mm adapter
 - 85054-60037 Type-N (f) to Type-N (f) adapter
 - 85054-60038 Type-N (m) to Type-N (m) adapter
 - 85054-60046 Type-N (m) fixed load
 - 85054-60047 Type-N (f) fixed load

Electronic calibration kits

- **N4690A** Microwave ECal: 10 MHz to 18 GHz, 2 ports.
Includes:
 - Option M0F** module with:
N4690-60001 Type-N (f) to Type-N (m) ECal module
 - Option 00M** module with:
N4690-60002 Type-N (m) to Type-N (m) ECal module
 - Option 00F** module with:
N4690-60003 Type-N (f) to Type-N (f) ECal module
 - Option 00A** adds:
 - 85054-60037 Type-N (m) to Type-N (m) adapter
 - 85054-60038 Type-N (f) to Type-N (f) adapter

Cables¹

Use the test port cables recommended for devices with 7 mm connectors, and 7 mm to Type-N adapters that are from the 85054B/D Type-N calibration kit (see 7 mm connector section).

1. Special rugged female connector specifically for connecting to the network analyzer test port, but does not mate with a standard male connector.
2. For use with E8362A or B.

For devices with 7 mm connectors

Mechanical calibration kits

- **85050B** standard: DC to 18 GHz. Includes:
 - 00909-60008 7 mm coax termination
 - 85050-60006 7 mm fixed broadband load
 - 85050-80007 7 mm short
 - 85050-80010 7 mm open
 - 85050-80011 7 mm sliding load
- **85050C** precision TRL: DC to 18 GHz. Includes:
 - 00909-60008 7 mm coax termination
 - 85050-60003 7 mm to 7 mm airline
 - 85050-60005 7 mm to 7 mm TRL adapter
 - 85050-60006 7 mm fixed broadband load
 - 85050-80008 7 mm short
 - 85050-80009 7 mm short collet
 - 85050-80010 7 mm open
- **85050D** economy: DC to 18 GHz. Includes:
 - 85050-60006 7 mm fixed broadband load
 - 85050-80007 7 mm short
 - 85050-80010 7 mm open

Electronic calibration kits

- **N4696A** Microwave ECal: 10 MHz to 18 GHz, 2 ports, 7mm to 7mm Microwave module

Cables¹

- **85132C** single, semi-rigid: 7 mm to 3.5 mm, 81 cm, 32 inches²
- **85132D** set, semi-rigid: 7 mm to 3.5 mm, 53 cm each, 21 inches each²
- **85132E** single, flexible: 7 mm to 3.5 mm, 97.2 cm, 38.25 inches²
- **85132F** set, flexible: 7 mm to 3.5 mm, 62.9 cm each, 24.75 inches each²
- **85135C** single, semi-rigid: 7 mm to 2.4 mm, 81 cm, 32 inches
- **85135D** set, semi-rigid: 7 mm to 2.4 mm, 53 cm each, 21 inches each
- **85135E** single, flexible: 7 mm to 2.4 mm, 96 cm, 38 inches
- **85135F** set, flexible: 7 mm to 2.4 mm, 53 cm each, 21 inches each

Adapter sets

- **85130E** 2.4 mm¹ to 7 mm

For devices with waveguide

Mechanical calibration kits

X Band

- **X11644A** standard, WR-90: 8.2 to 12.4 GHz. Includes:
 - 00896-60008 X-band standard section
 - 00910-60003 X-band termination
 - 11644-20018 X-band short
 - 11644-20021 X-band shim
- **85132F** cable set (set, flexible 7 mm to 3.5 mm, 62.9 cm each, 24.75 inches each²)
- **85135F** cable set (set, flexible, 7 mm to 2.4 mm, 53 cm each, 21 inches each)
- **X281C** adapter (included in calibration kit): WR-90 to 7 mm

P Band

- **P11644A** standard, WR-62: 12.4 to 18 GHz. Includes:
 - 00896-60007 P-band standard section
 - 00910-60002 P-band termination
 - 11644-20017 P-band short
 - 11644-20020 P-band shim
- **85132F** cable set (set, flexible 7 mm to 3.5 mm, 62.9 cm each, 24.75 inches each²)
- **85135F** cable set (flexible, 7 mm to 2.4 mm, 53 cm each, 21 inches each)
- **P281C** adapter (included in calibration kit): WR-62 to 7 mm

K Band

- **K11644A** standard, WR-42: 18 to 26.5 GHz. Includes:
 - 00896-60006 K-band standard section
 - 00910-60001 K-band termination
 - 11644-20016 K-band short
 - 11644-20019 K-band shim
- **85134F** cable set (set, flexible, 3.5 mm to 2.4 mm, 53 cm each, 21 inches each)
- **K281C** adapter (included in calibration kit): WR-42 to 3.5 mm (f)
 - Option 012** WR-42 to 3.5 mm (m)

1. Special rugged female connector specifically for connecting to the network analyzer test port, but does not mate with a standard male connector.

2. For use with E8362A or B.

R Band

- **R11644A** standard, WR-28: 26.5 to 40 GHz.
Includes:
 - 00914-20028 R-band termination
 - 11644-20005 R-band short
 - 11644-20003 R-band shim
 - 11644-60001 R-band 10 cm straight waveguide
 - 11644-60016 R-band 5 cm straight waveguide
- **85133F** cable set (set, flexible, 2.4 mm, 53 cm each, 21 inches each)
- **R281A** adapter (2.4 mm (f) to WR-28 waveguide adapter)
- **R281B** adapter (2.4 mm (m) to WR-28 waveguide adapter)

Q Band

- **Q11644A** standard, WR-22: 33 to 50 GHz.
Includes:
 - 11644-60005 Q-band termination
 - 11644-20004 Q-band short
 - 11644-20001 Q-band shim
 - 11644-60002 Q-band 10 cm straight waveguide
 - 11644-60017 Q-band 5 cm straight waveguide
- **85133F** cable set (set, flexible, 2.4 mm, 53 cm each, 21 inches each)
- **Q281A** adapter (2.4 mm (f) to WR-22 waveguide adapter)
- **Q281B** adapter (2.4 mm (m) to WR-22 waveguide adapter)

U Band

- **U11644A** standard, WR-19: 40 to 60 GHz.
Includes:
 - 11644-60006 U-band termination
 - 11644-20004 U-band short
 - 11644-20002 U-band shim
 - 11644-60003 U-band 10 cm straight waveguide
 - 11644-60018 U-band 5 cm straight waveguide

V Band

- **V11644A** standard, WR-15: 50 to 75 GHz.
Includes:
 - 11644-60025 V-band termination
 - 11644-20015 V-band short
 - 11644-20013 V-band shim
 - 11644-60012 V-band standard section

Verification kits

All Agilent verification kits include:

- precision Zo airline or match thru
- mismatched airline or mismatch thru
- fixed attenuators
- traceable measured data and uncertainties

- **85051B** 300 kHz to 18 GHz 7 mm kit
Includes attenuators, airline and mismatch airline with data on a 3.5-inch disk for use in confirming accuracy enhanced system measurement performance, traceable to national standards. Test procedure is provided in the service manual.
- **85053B** 300 kHz to 26.5 GHz 3.5 mm kit
Includes attenuators, airline and mismatch airline with data on a 3.5-inch disk for use in confirming accuracy enhanced system measurement performance, traceable to national standards. Test procedure is provided in the service manual.
- **85055A** 300 kHz to 18 GHz Type-N kit
Includes attenuators, airline and mismatch airline with data on a 3.5-inch disk for use in confirming accuracy enhanced system measurement performance, traceable to national standards. Test procedure is provided in the service manual.
- **85057B** 45 MHz to 50 GHz 2.4 mm kit
Includes attenuators, airline and mismatch airline with data on a 3.5-inch disk for use in confirming accuracy enhanced system measurement performance, traceable to national standards. Test procedure is provided in the service manual.
- **85058V** 45 MHz to 67 GHz 1.85 mm kit
Includes attenuators, match thru and mismatch thru with data on a 3.5-inch disk for use in confirming accuracy enhanced system measurement performance, traceable to national standards. Test procedure is provided in the service manual.
- **R11645A** 26.5 to 40 GHz R-Band WR-28 kit
Includes attenuators and mismatch attenuator with data on a 3.5-inch disk for use in confirming accuracy enhanced system measurement performance, traceable to national standards. Test procedure is provided in the service manual.
- **Q11645A** 33 to 50 GHz Q-Band WR-22 kit
Includes attenuators and mismatch attenuator with data on a 3.5-inch disk for use in confirming accuracy enhanced system measurement performance, traceable to national standards. Test procedure is provided in the service manual.
- **U11645A** 40 to 60 GHz U-Band WR-19 kit
Includes attenuators and mismatch attenuator with data on a 3.5-inch disk for use in confirming accuracy enhanced system measurement performance, traceable to national standards. Test procedure is provided in the service manual.
- **V11645A** 50 to 75 GHz V-Band WR-15 kit
Includes attenuators and mismatch attenuator with data on a 3.5-inch disk for use in confirming accuracy enhanced system measurement performance, traceable to national standards. Test procedure is provided in the service manual.

General Accessories

USB

- N4688A** CD-ROM drive
Provides an external read/write CD-ROM drive with a USB cable.
- N4689A** USB hub
Provides a USB hub for connecting additional USB peripherals.

Hard drive

- Z5623AHD2** Spare hard drive
Recommended for a secure environment.

Probe

- 85024A** high-frequency probe
Provides high-impedance in-circuit test capability from 300 kHz to 3 GHz.

Power meters and sensors

Recommended for self support, adjustments and performance tests to verify proper instrument operation.

- E4418B** single-channel power meter
- E4419B** dual-channel power meter
- 8481B** power sensor, 10 MHz to 18 GHz, Type-N (m), 25 W
- 8481A** power sensor, 10 MHz to 18 GHz, Type-N (m), 100 mW
- 8485A** power sensor, 50 MHz to 26.5 GHz, APC-3.5 mm (m), 100 mW
- 8487A** power sensor, 50 MHz to 50 GHz, 2.4 mm, 300 mW
- 8487D** power sensor, 50 MHz to 50 GHz, 2.4 mm, 100 mW
- R8486A** power sensor, 26 GHz to 40 GHz, waveguide flange UG-599/U, 100 mW
- Q8486A** power sensor, 33 GHz to 50 GHz, waveguide flange UG-383/U, 100 mW
- U8486A** power sensor, 50 GHz to 75 GHz, waveguide flange UG-385/U, 200 mW avg
- E4412A** CW power sensor, 10 MHz to 18 GHz, Type-N (m), 200 mW
- E4413A** CW power sensor, 50 MHz to 265 GHz, 3.5 mm, 200 mW

Amplifiers

- 83006A** power amplifier, 10 MHz to 26.5 GHz, 20 dB gain, power out: +18 dBm to 10 GHz or +16 dBm to 20 GHz or +14 dBm to 26.5 GHz
- 83017A** power amplifier, 50 MHz to 26.5 GHz, 25 dB gain, power out: +20 dBm to 20 GHz, or +15 dBm to 26.5 GHz
- 83018A** power amplifier, 2 to 26.5 GHz, 27 dB gain to 20 GHz or 23 dB to 26.5 GHz, power out: +24 dBm to 20 GHz or +21 dBm to 26.5 GHz
- 83020A** power amplifier, 2 to 26.5 GHz, 30 dB gain to 20 GHz or 27 dB to 26.5 GHz, power out: +30 dBm to 20 GHz or +26 dBm to 26.5 GHz
- 83050A** power amplifier, 2 to 50 GHz, 23 dB gain, power out: +20 dBm to 40 GHz or +17 dBm to 50 GHz
- 83051A** power amplifier, 45 MHz to 50 GHz, 23 dB gain power out: +12 dBm to 45 GHz or +10 dBm to 50 GHz

Couplers

- 87300B** coaxial coupler, 1 to 20 GHz, SMA (f), 10 dB coupling
- 87300C** coaxial coupler, 1 to 26.5 GHz, 3.5 mm (f), 10 dB coupling
- 87301B** coaxial coupler, 10 to 46 GHz, 2.9 mm (f), 10 dB coupling
- 87301D** coaxial coupler, 1 to 40 GHz, 2.4 mm (f) or optional 2.92 mm (f), 13 dB coupling
- 87301E** coaxial coupler, 2 to 50 GHz, 2.4 mm (f), 10 dB coupling
- 87310B** 90° coaxial coupler, 1 to 18 GHz, SMA (f), 3 dB coupling

Equipment racks and case

- E3663AC** Rack mount flange kit, for use with handles; includes handles¹
- 5063-9217** Rack mount kit, for use without handles; may be ordered as option 1CM
- 5063-9224** Rail kit, included with option 1CM and 1CP
- 5063-9237** Rack mount kit, for use with previously supplied handles; may be ordered as option 1CP

1. The PNA Series analyzer is supplied with handles.

Applications

Material measurements

- **85070D** High-Temperature Dielectric Probe Kit
The 85070D enables measurements of the dielectric properties of materials quickly and conveniently. Measurements made with this probe are nondestructive and require no sample preparation. The dielectric probe is well suited for measurements of liquid, semisolid and flat solid materials. Measurement results can be viewed in a variety of formats (ϵ'_r , ϵ''_r , $\tan \delta$ or Cole-Cole). The supplied software can be run in the PNA analyzer or on a PC.
- **85071D** Materials Measurement Software
The 85071D materials measurement software calculates the permittivity and permeability of material samples placed in a coaxial airline or a rectangular waveguide. The measurement technique works well for solid materials that can be machined to fit precisely inside a transmission line. Measurement results can be viewed in a variety of formats (ϵ'_r , ϵ''_r , μ'_r , μ''_r , $\tan \delta$, or Cole-Cole μ). The software can be run in the PNA analyzer or on a PC.

Pulsed measurements¹

The pulsed RF measurement capability (Option H08) and IF access (Option H11), are required for pulsed measurements with the PNA Series.

Pulse/pattern generators

Recommended to provide pulse signals and timing to the pulsed S-parameter test set and MW PNA

- **81110A** Pulse/pattern generator, 165 MHz single-/dual-channel with one or two Agilent 81111A output modules
Note: The 81110A must be ordered with the associated output modules depending on the measurement configuration.

Pulsed S-Parameter test sets

- **Z5623AH811** Pulsed S-parameter test set, 2 to 20 GHz
Includes a pin-diode switch to modulate the analyzers' internal source, an amplifier, and directional coupler to provide a pulsed reference to the analyzer.
Note: Pulse biasing can be achieved with or without the use of a pulsed S-parameter test set. A proper pulse-bias driver must be used. Contact your local Agilent Sales Representative for additional pulsed S-parameter test set configurations and details.

Peripherals

The following peripherals may be used with the Microwave PNA Series. Other peripherals not listed here may also be compatible with these instruments.

Monitors

VGA-compatible monitor

Printers

USB, LAN, parallel or serial printers with Microsoft® Windows® 2000 printer driver

Interface cables

Choose the appropriate cables to connect each peripheral to the network analyzer.

- **10833A** GPIB cable, 1.0 m (3.3 ft)
- **10833B** GPIB cable, 2.0 m (6.6 ft)
- **10833D** GPIB cable, 0.5 m (1.6 ft)
- **82357A** GPIB to USB interface

1. For more details regarding pulsed measurement configurations with the PNA Series, refer to Agilent's Web site (www.agilent.com/find/pna) to download a copy of the *Microwave PNA Series Network Analyzer Configuration Guide for Pulsed Measurements*, literature number 5988-9833EN.

Upgrade Kits

Upgrade kits for the Microwave PNA Series

Upgrade kits are available to add options after initial purchase. To order an upgrade kit for the Microwave PNA series, order the analyzer's model number followed by a "U", then indicate the option to be added:

- Time-domain upgrade kit** (Option 010)
The serial number of the instrument to be retrofitted must be specified when ordering this kit. User installable.
- Configurable test set upgrade kit** (Option 014)
Includes installation at an Agilent service center.
- Frequency-offset** (Option 080)
(Not available for the E8362A/63A/64A)
Includes installation at an Agilent service center.
- External reference switch** (Option 081)
(Not available for the E8362A/63A/64A)
Includes installation at an Agilent service center.
- Frequency converter measurement application** (Option 083)
(Not available for the E8362A/63A/64A)
Provides the application software for the PNA Series on CD-ROM. The software is user-installable.
Installation requires USB CD-ROM drive or external computer connected via LAN.
- Receiver attenuators** (Option 016)
(Not available for the E8362A/63A/64A)
Includes installation at an Agilent service center.
- Extended memory** (Option 022)
(Not available for the E8362A/63A/64A)
Includes installation at an Agilent service center.
- Frequency range upgrade to an E8363A/B (40 GHz) PNA** (Option 040)
Available only for the E8362A/B. Includes installation at an Agilent service center.
- Frequency range upgrade to an E8364A/B (50 GHz) PNA** (Option 050)
Available only for the E8362A/B and E8363A/B.
Includes installation at an Agilent service center.
- Frequency range upgrade to an E8361A (67 GHz) PNA** (Option 067)
Available only for the E8363A/B and E8364A/B.
Includes installation at an Agilent service center.
- Extended power range** (Option UNL)
Adds a step attenuator and a bias-tee between source and each test port. Includes installation at an Agilent service center.
- Extended hardware capability** (Option 097)
(Available for the E8362A/63A/64A only)
This option will upgrade your E836xA model to an E836xB model; adding a 10 MHz start frequency and the ability to add the options needed to test mixers (080, 081, and 083).
- Firmware upgrade** (Option 099)
Provides the latest revision of firmware for the PNA Series on CD-ROM. Firmware is user-installable. Installation requires USB CD-ROM drive or external computer connected via LAN. The latest firmware is also available from our web site or by using AgileUpdate on the analyzer. Visit our web page at: www.agilent.com/find/pna

Literature and information

Microwave PNA Series Data Sheet

literature number 5988-7988EN

Microwave PNA Series Configuration Guide for Pulsed Measurements

literature number 5988-9833EN

Microwave PNA Series Network Analyzer Frequency Converter and Mixer Test Selection Guide

literature number 5988-8149EN

Key web resources

Visit the Microwave PNA Series home page for additional literature and product information:

www.agilent.com/find/pna

Visit Application Central:

www.agilent.com/find/appcentral

For additional information regarding material test equipment:

www.agilent.com/find/materials

For additional information regarding electronic calibration (ECal) visit:

www.agilent.com/find/ecal

For on-line information about Agilent's service and support products visit:

www.agilent.com/find/tm_services

Expand your measurement capabilities with Agilent qualified channel partners

Our channel partners offer accessories and measurement solutions that extend your network analysis capabilities.

For more information about probing equipment and accessories, contact:

Cascade Microtech, Inc

2430 NW 206th Avenue

Beaverton, Oregon 97006, USA

Toll free telephone: 1-800-550-3279

Telephone: (503) 601-1000

Fax: (503) 601-1002

Web site: www.cascademicrotech.com

E-mail: sales@cmicro.com



Agilent Email Updates

www.agilent.com/find/emailupdates

Get the latest information on the products and applications you select.

Agilent Technologies' Test and Measurement Support, Services, and Assistance

Agilent Technologies aims to maximize the value you receive, while minimizing your risk and problems. We strive to ensure that you get the test and measurement capabilities you paid for and obtain the support you need. Our extensive support resources and services can help you choose the right Agilent products for your applications and apply them successfully. Every instrument and system we sell has a global warranty. Support is available for at least five years beyond the production life of the product. Two concepts underlie Agilent's overall support policy: "Our Promise" and "Your Advantage."

Our Promise

Our Promise means your Agilent test and measurement equipment will meet its advertised performance and functionality. When you are choosing new equipment, we will help you with product information, including realistic performance specifications and practical recommendations from experienced test engineers. When you use Agilent equipment, we can verify that it works properly, help with product operation, and provide basic measurement assistance for the use of specified capabilities, at no extra cost upon request. Many self-help tools are available.

Your Advantage

Your Advantage means that Agilent offers a wide range of additional expert test and measurement services, which you can purchase according to your unique technical and business needs. Solve problems efficiently and gain a competitive edge by contracting with us for calibration, extra-cost upgrades, out-of-warranty repairs, and onsite education and training, as well as design, system integration, project management, and other professional engineering services. Experienced Agilent engineers and technicians worldwide can help you maximize your productivity, optimize the return on investment of your Agilent instruments and systems, and obtain dependable measurement accuracy for the life of those products.

Agilent T&M Software and Connectivity

Agilent's Test and Measurement software and connectivity products, solutions and developer network allows you to take time out of connecting your instruments to your computer with tools based on PC standards, so you can focus on your tasks, not on your connections. Visit www.agilent.com/find/connectivity for more information.

By internet, phone, or fax, get assistance with all your test & measurement needs

Phone or Fax

United States:
(tel) 800 452 4844

Canada:
(tel) 877 894 4414
(fax) 905 282 6495

China:
(tel) 800 810 0189
(fax) 800 820 2816

Europe:
(tel) (31 20) 547 2323
(fax) (31 20) 547 2390

Japan:
(tel) (81) 426 56 7832
(fax) (81) 426 56 7840

Korea:

(tel) (82 2) 2004 5004
(fax) (82 2) 2004 5115

Latin America:

(tel) (305) 269 7500
(fax) (305) 269 7599

Taiwan:

(tel) 0800 047 866
(fax) 0800 286 331

Other Asia Pacific

Countries:
(tel) (65) 6375 8100
(fax) (65) 6836 0252

Email:
tm_asia@agilent.com

On-line Assistance:

www.agilent.com/find/assist

Product specifications and descriptions in this document subject to change without notice.

© Agilent Technologies, Inc. 2002, 2003
Printed in USA, September 26, 2003
5988-7989EN

Microsoft® and Windows® are U.S. registered trademarks of Microsoft Corporation.



Agilent Technologies